

PUBLIC NOTICE

US Army Corps
of Engineers
New York District
Jacob K. Javits Federal Building
New York, N.Y. 10278-0090
ATTN: Regulatory Branch

In replying refer to:

Public Notice Number: NAN-2020-00919-EVI

Issue Date:

Expiration Date:

To Whom It May Concern:

The New York District, Corps of Engineers has received an application for a Department of the Army permit pursuant to Section 10 of the Rivers and Harbors Act of 1899 (33 U.S.C. 403) and Section 404 of the Clean Water Act (33 U.S.C. 1344):

APPLICANT: Amerco Real Estate Co.
2727 N Central Ave
Phoenix, AZ 85001

WATERWAY: Kill Van Kull

LOCATION: 2159 Richmond Terrace, Borough of Staten Island, Richmond County,
City of New York, New York

ACTIVITY: Reconstruction of Rip-Rap Revetment and the Installation of Structures

A detailed description and plans of the applicant's activity are enclosed to assist in your review.

The decision whether to issue a permit will be based on an evaluation of the probable impact including cumulative impacts of the proposed activity on the public interest. That decision will reflect the national concern for both protection and utilization of important resources. The benefit which reasonably may be expected to accrue from the proposal must be balanced against its reasonably foreseeable detriments. All factors which may be relevant to the proposal will be considered including the cumulative effects thereof; among those are conservation, economics, aesthetics, general environmental concerns, wetlands, historic properties, fish and wildlife values, flood hazards, floodplain values, land use, navigation, shoreline erosion and accretion, recreation, water supply and conservation, water quality, energy needs, safety, food and fiber production, mineral needs, considerations of property ownership and, in general, the needs and welfare of the people.

The Corps of Engineers is soliciting comments from the public; Federal, state, and local agencies and officials; Indian Tribes; and other interested parties in order to consider and evaluate the impacts of this proposed activity. Any comments received will be considered by the Corps of Engineers to determine whether to issue, modify, condition or deny a permit for this proposal. To make this decision, comments are used to assess impacts on endangered species, historic properties, water quality, general environmental effects, and the other public interest factors listed above. Comments are used in preparation of an Environmental Assessment and/or an Environmental Impact Statement pursuant to the National Environmental Policy Act. Comments are also used to determine the need for a public hearing and to determine the overall public interest of the proposed activity.

CENAN-OP-RE
PUBLIC NOTICE NO. NAN-2020-00919-EVI

ALL COMMENTS REGARDING THE PERMIT APPLICATION MUST BE PREPARED IN WRITING AND EMAILED TO ROBERT.T.VIETRI@USACE.ARMY.MIL BEFORE THE EXPIRATION DATE OF THIS NOTICE; otherwise, it will be presumed that there are no objections to the activity.

Comments submitted in response to this notice will be fully considered during the public interest review for this permit application. Comments provided will become part of the public record for this permit application. All written comments, including contact information, will be made a part of the administrative record, available to the public under the Freedom of Information Act. The Administrative Record, or portions thereof, may also be posted on a Corps of Engineers internet web site. Due to resource limitations, this office will normally not acknowledge the receipt of comments or respond to individual letters of comment.

Any person may request, in writing, before this public notice expires, that a public hearing be held to collect information necessary to consider this application. Requests for public hearings shall state, with particularity, the reasons why a public hearing should be held. It should be noted that information submitted by mail is considered just as carefully in the permit decision process and bears the same weight as that furnished at a public hearing.

Our preliminary determination is that the activity for which authorization is sought herein is not likely to adversely affect any federally endangered or threatened species or their critical habitat. However, pursuant to Section 7 of the Endangered Species Act (16 U.S.C. 1531), the District Engineer is consulting with the appropriate Federal agency to determine the presence of and potential impacts to listed species in the project area or their critical habitat.

The Magnuson-Stevens Fishery Conservation and Management Act, as amended by the Sustainable Fisheries Act (Public Law 104-267), requires all Federal agencies to consult with the National Oceanic and Atmospheric Administration Fisheries Service (NOAA/FS) on all actions, or proposed actions, permitted, funded, or undertaken by the agency, that may adversely affect Essential Fish Habitat (EFH). The proposed work, fully described in the attached work description, could cause the disruption of habitat for various life stages of some EFH-designated species as a result of a temporary increase in turbidity during construction. However, the New York District has made the preliminary determination that the site-specific adverse effects are not likely to be substantial because it is expected that fish populations would avoid the small area of disturbance. Further consultation with NOAA/FS regarding EFH impacts, and conservation recommendations is being conducted and will be concluded prior to the final decision.

Based upon a review of the latest published version of the National Register of Historic Places, there are no known sites eligible for, or included in, the Register within the permit area. Presently unknown archeological, scientific, prehistorical, or historical data may be lost by work accomplished under the required permit.

Pursuant to Section 307 (c) of the Coastal Zone Management Act of 1972 as amended [16 U.S.C. 1456 (c)], for activities under consideration that are located within the coastal zone of a state which has a federally approved coastal zone management program, the applicant has certified in the permit application that the activity complies with, and will be conducted

**CENAN-OP-RE
PUBLIC NOTICE NO. NAN-2020-00919-EVI**

in a manner that is consistent with, the approved state coastal zone management program. By this public notice, we are requesting the state's concurrence with, objection to, or waiver of the applicant's certification. No permit decision will be made until one of these actions occur. For activities within the coastal zone of New York State, the applicant's certification and accompanying information is available from the Consistency Coordinator, New York State Department of State, Division of Coastal Resources and Waterfront Revitalization, Coastal Zone Management Program, One Commerce Plaza, 99 Washington Avenue, Albany, New York 12231, Telephone (518) 474-6000. Comments regarding the applicant's certification, and copies of any letters to this office commenting upon this proposal, should be so addressed.

In addition to any required water quality certificate and coastal zone management program concurrence, the applicant has obtained or requested the following governmental authorization for the activity under consideration:

- New York State Department of Environmental Conservation

It is requested that you communicate the foregoing information concerning the activity to any persons known by you to be interested and who did not receive a copy of this notice. If you have any questions concerning this application, you may contact this office at (917) 790-8379 and ask for Robert T. Vietri or email him at Robert.T.Vietri@usace.army.mil.

In order for us to better serve you, please complete our Customer Service Survey located at <http://www.nan.usace.army.mil/Missions/Regulatory/CustomerSurvey.aspx>.

For more information on New York District Corps of Engineers programs, visit our website at <http://www.nan.usace.army.mil>.

FOR AND IN BEHALF OF
Stephan A. Ryba
Chief, Regulatory Branch

Encl

**CENAN-OP-RE
PUBLIC NOTICE NO. NAN-2020-00919-EVI**

WORK DESCRIPTION

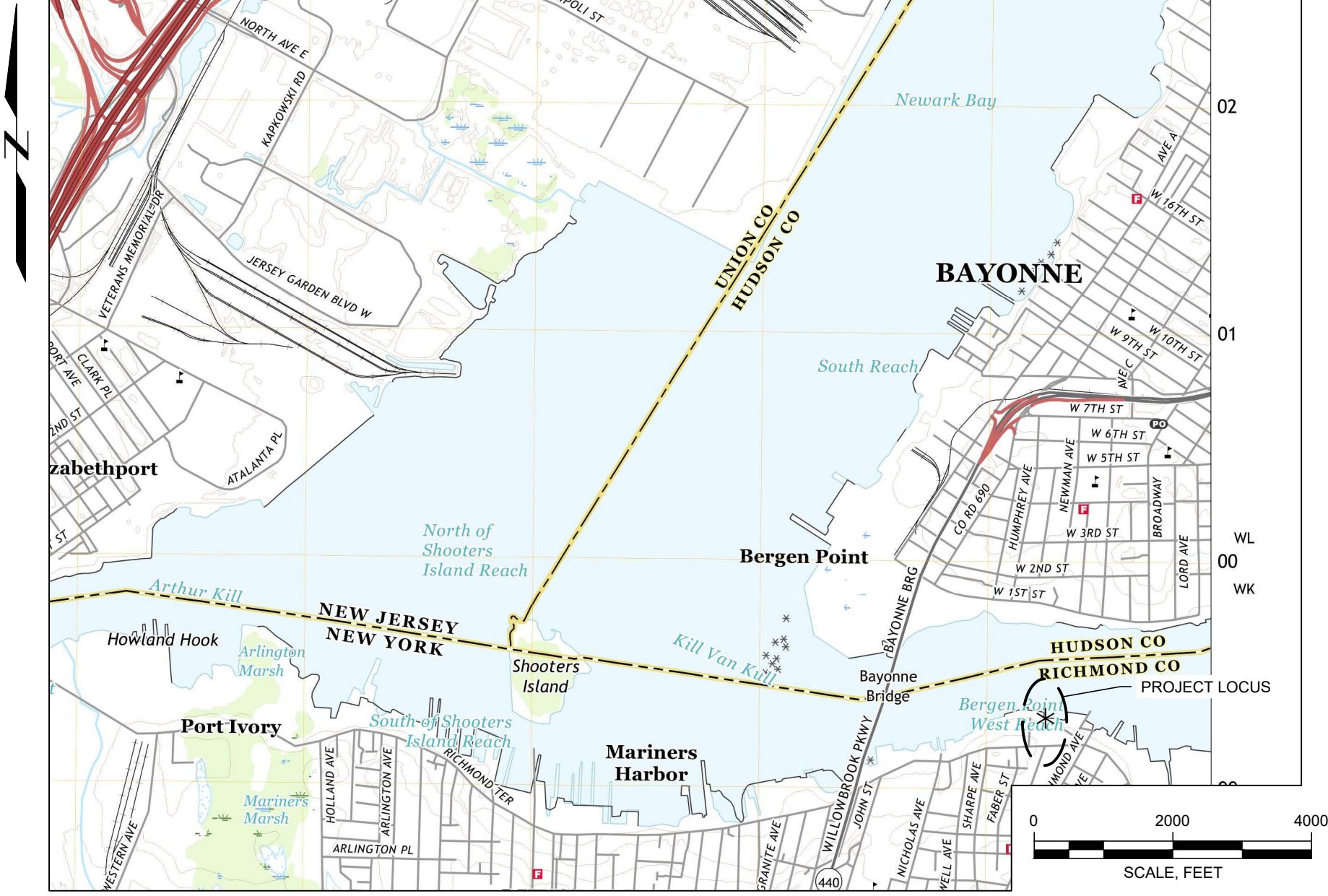
The applicant, Amerco Real Estate Corporation, has requested Department of the Army (DA) authorization to reconstruct an existing approximately 820 linear foot stone rip-rap revetment. It is anticipated that approximately 1,235 cubic yards of fill material consisting of marine mattresses and varying sizes of stone will be placed below the plane of Spring High Water over an approximately 6,067 square foot area.

The proposed work also includes the installation of a new fixed pier. The fixed pier will range in width between approximately 28-feet-wide to 52-feet-wide and will be approximately 68-feet-long. The pier will be installed in a "T" shape configuration and two (2), mooring dolphins will be installed on the seaward terminus of the fixed pier, one (1) to the east and one (1) to the west, approximately 14 linear feet away. Each mooring dolphin will consist of six (6), 12-inch diameter steel piles and the fixed pier will consist of 21, 12-inch diameter steel piles. All mooring piles used for the fixed pier and dolphins will be hollow.

The proposed work is located within the Kill Van Kull at 2159 Richmond Terrace, Borough of Staten Island, Richmond County, City of New York, New York.

The stated purpose of the proposed work is to stabilize the shoreline and provide safe mooring for commercial vessels.

File: B:\Working\UHAUL STATEN ISLAND_NY\2000694_U-Haul Pier and Revetment\00_CAD\Design\Working\USACOF_PERMIT\SH1-01_LOCUS_PLAN.dwg

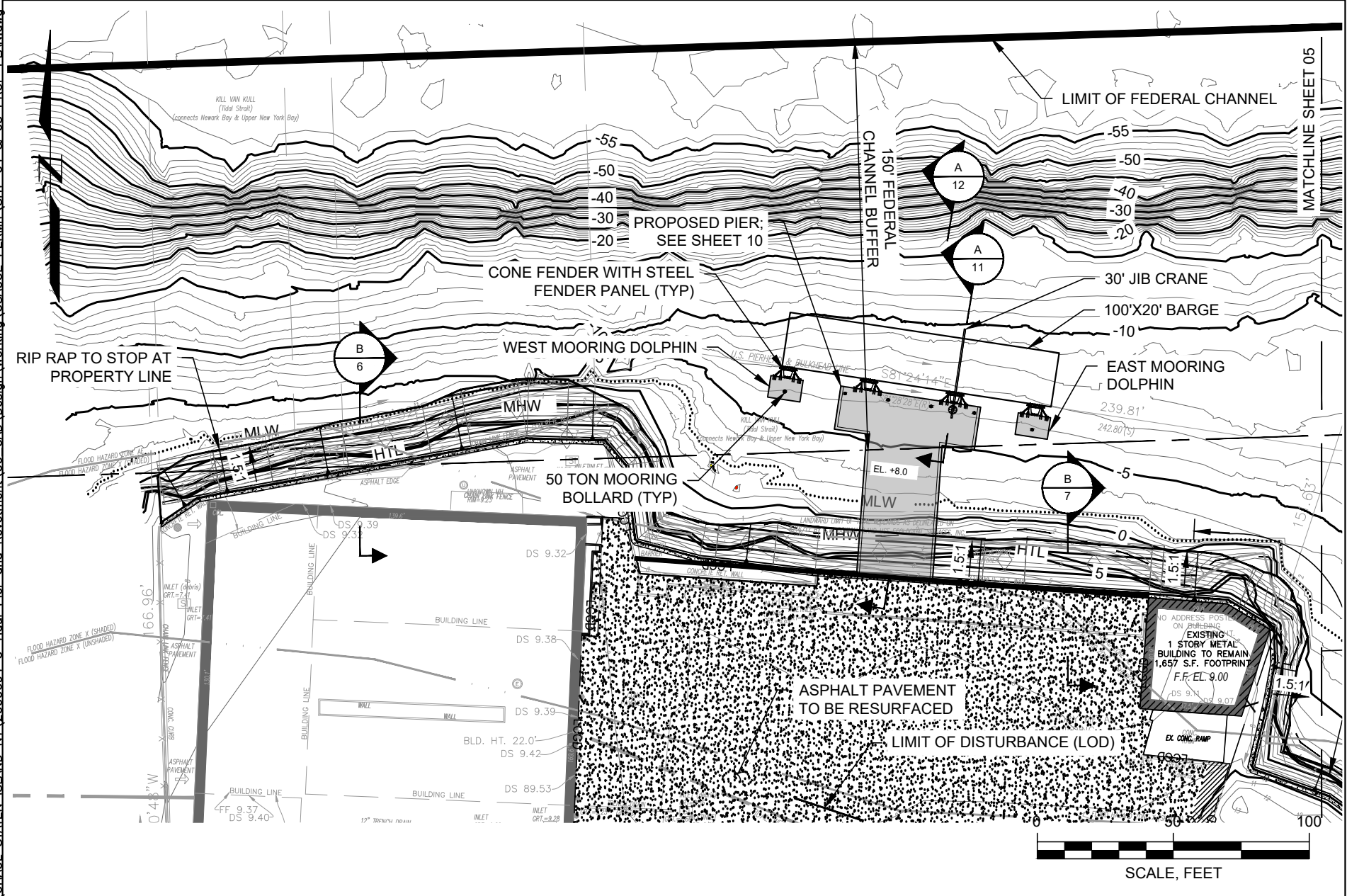


NOTE:
USGS LOCUS MAP
VERTICAL DATUM: NGVD29

TITLE: LOCUS PLAN		IN: STATEN ISLAND
PURPOSE: PIER & REVETMENT CONSTRUCTION		AT: KILL VAN KULL
APPLICATION BY: UHAUL STATEN ISLAND		COUNTY: RICHMOND STATE: NY
		SHEET 1 OF 13
		DATE: 05/23/2022

USACE FILE: NAN-2020-00919-EVI

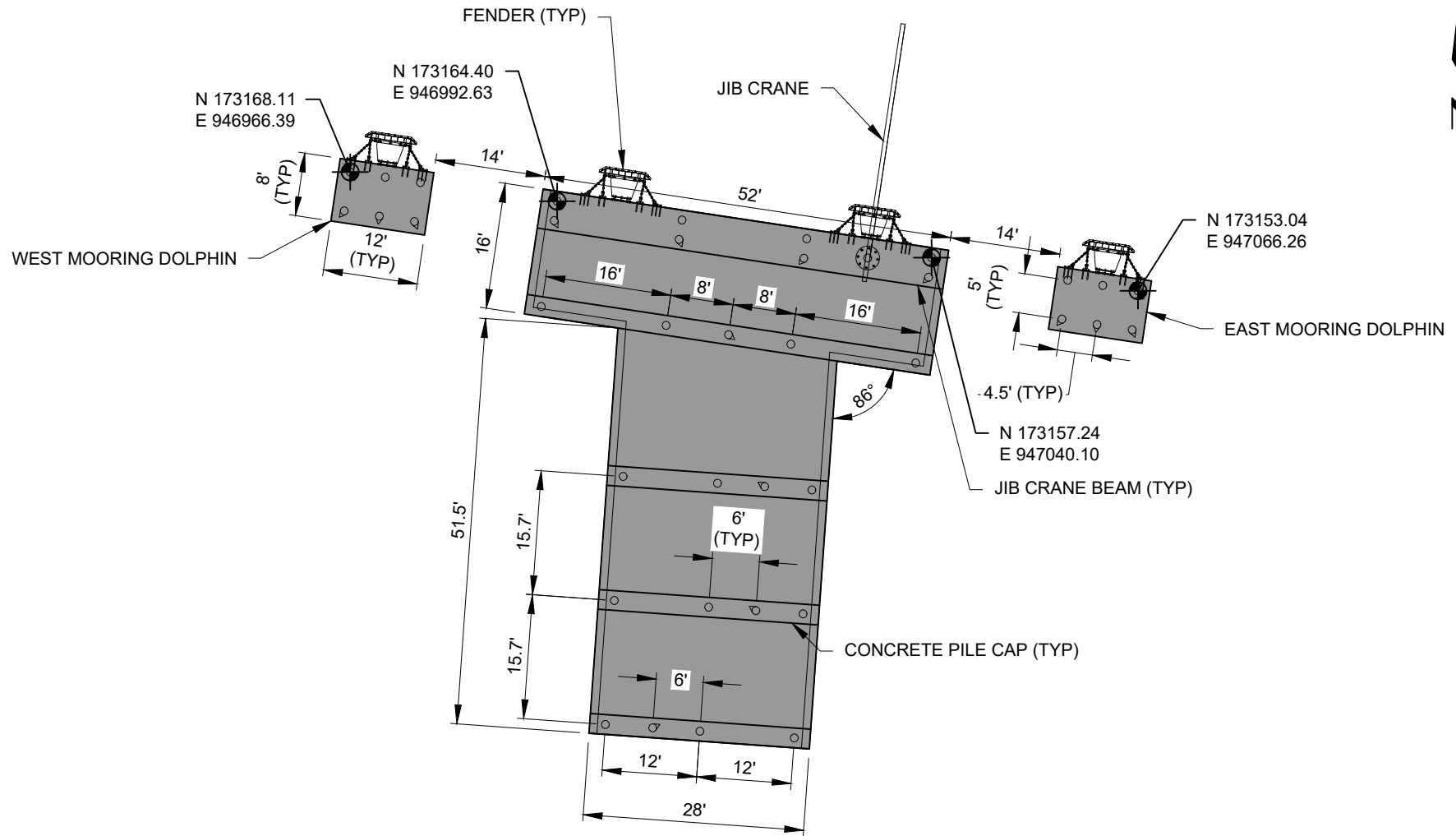
File: B:\Working\UHAUL\STATEN ISLAND_NY_2000694_U-Haul Pier and Revetment\USACOF_PERMIT\SH1-04 & 05_PROP_PLAN.dwg



100 YR FLOOD	+14.99
HTL	+3.75
MHW	+3.20
NAVD88	+1.99
MLW	0.00
MLLW	-0.25

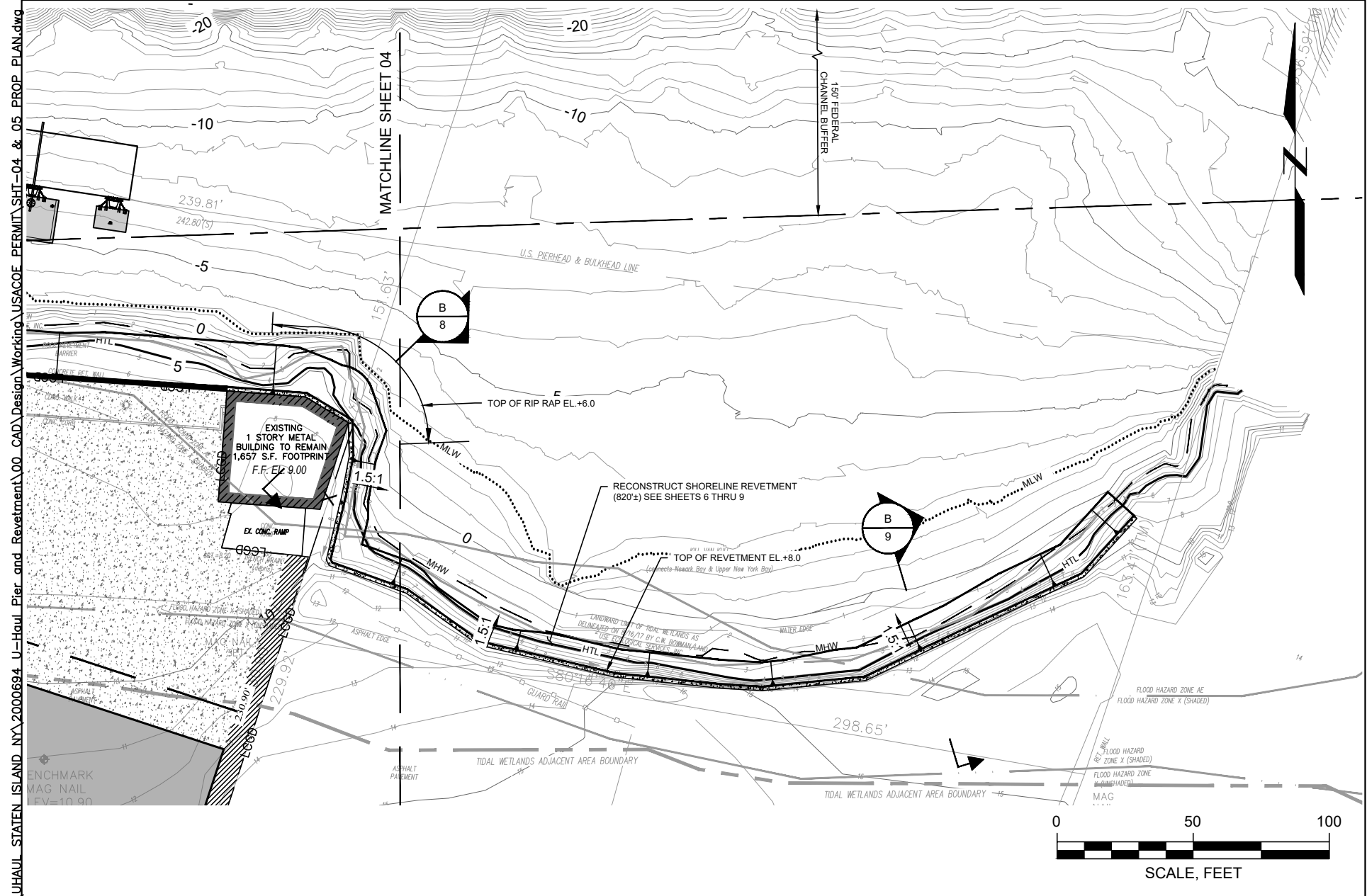
TITLE: PROPOSED CONDITIONS PLAN		IN: STATEN ISLAND
PURPOSE: PIER & REVETMENT CONSTRUCTION		AT: KILL VAN KULL
APPLICATION BY: UHAUL STATEN ISLAND		COUNTY: RICHMOND STATE: NY
		SHEET 4 OF 13
		DATE: 05/23/2022

File: B:\Working\UHAUL_STATEN_ISLAND_NY\2000694_U-Haul Pier and Revetment\00_CAD\Design\Working\USACOF_PERMIT\SHT-10_PIER_PLAN.dwg



100 YR FLOOD VARIES
 HTL +4.62
 MHW +2.47
 NAVD88 0.00
 MLW -2.51
 MLLW -2.72

TITLE: PIER PLAN		IN: STATEN ISLAND
PURPOSE: PIER & REVETMENT CONSTRUCTION		AT: KILL VAN KULL
APPLICATION BY: UHAUL STATEN ISLAND		COUNTY: RICHMOND STATE: NY
		SHEET 10 OF 13
		DATE: 05/23/2022



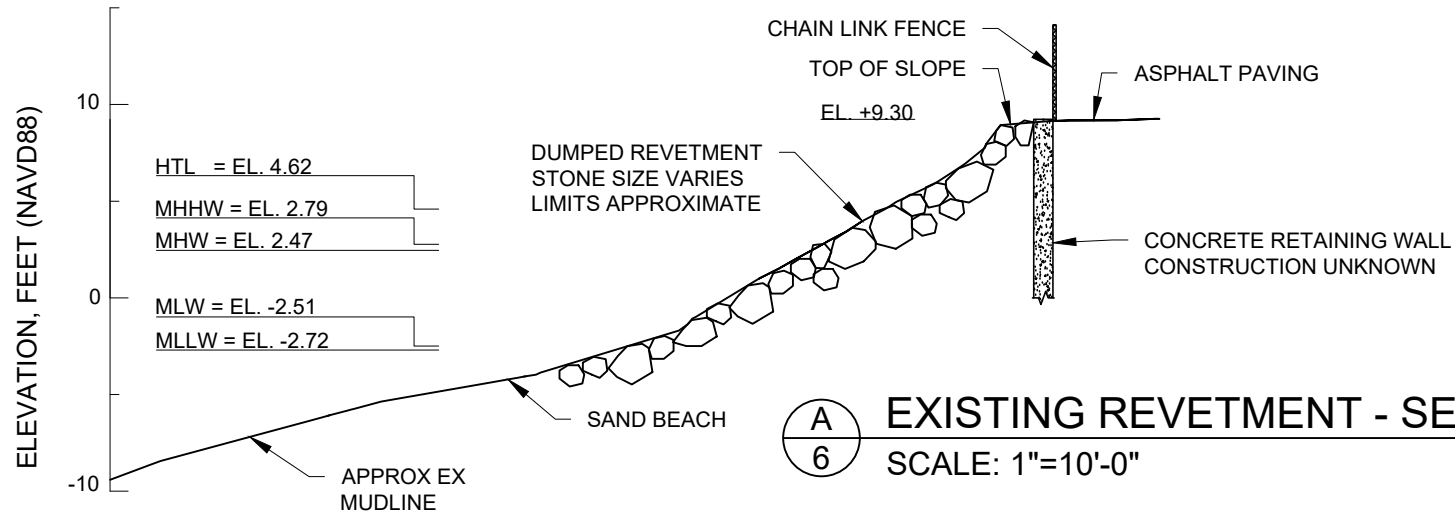
File: B:\Working\UHAUL STATEN ISLAND_NY_2000694_U-Haul Pier and Revetment\00_CAD\Design\Working\USACOF PERMIT\SH-04 & 05 PROP PLAN.dwg



100 YR FLOOD VARIES
 HTL +4.62
 MHW +2.47
 NAVD88 0.00
 MLW -2.51
 MLLW -2.72

TITLE: PROPOSED CONDITIONS PLAN		IN: STATEN ISLAND	
PURPOSE: PIER & REVETMENT CONSTRUCTION		AT: KILL VAN KULL	
APPLICATION BY: UHAUL STATEN ISLAND		COUNTY: RICHMOND STATE: NY	
		SHEET 5 OF 13	
		DATE: 05/23/2022	

File: B:\Working\UHAUL STATEN ISLAND_NY\2000694_U-Haul Pier and Revetment\00_CAD\Design\Working\USACOF_PERMIT\SH1-06_TO_09.dwg

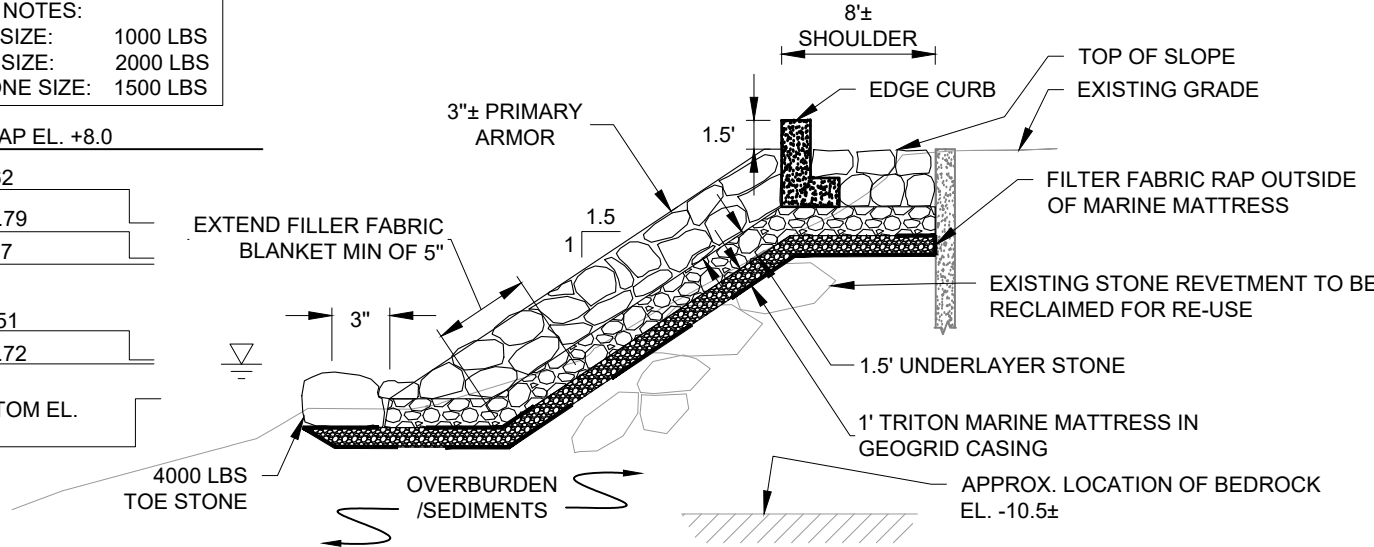


A
6 **EXISTING REVETMENT - SECTION I**
SCALE: 1"=10'-0"

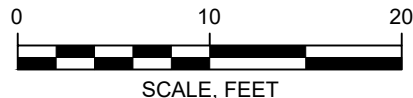
STONE SIZE NOTES:
MIN. STONE SIZE: 1000 LBS
MAX STONE SIZE: 2000 LBS
MEDIAN STONE SIZE: 1500 LBS

TOP OF RIP RAP EL. +8.0

HTL = EL. 4.62
MHHW = EL. 2.79
MHW = EL. 2.47
MLW = EL. -2.51
MLLW = EL. -2.72
RIP RAP BOTTOM EL. VARIES



B
6 **PROPOSED REVETMENT - SECTION I**
SCALE: 1"=10'-0"



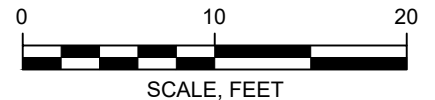
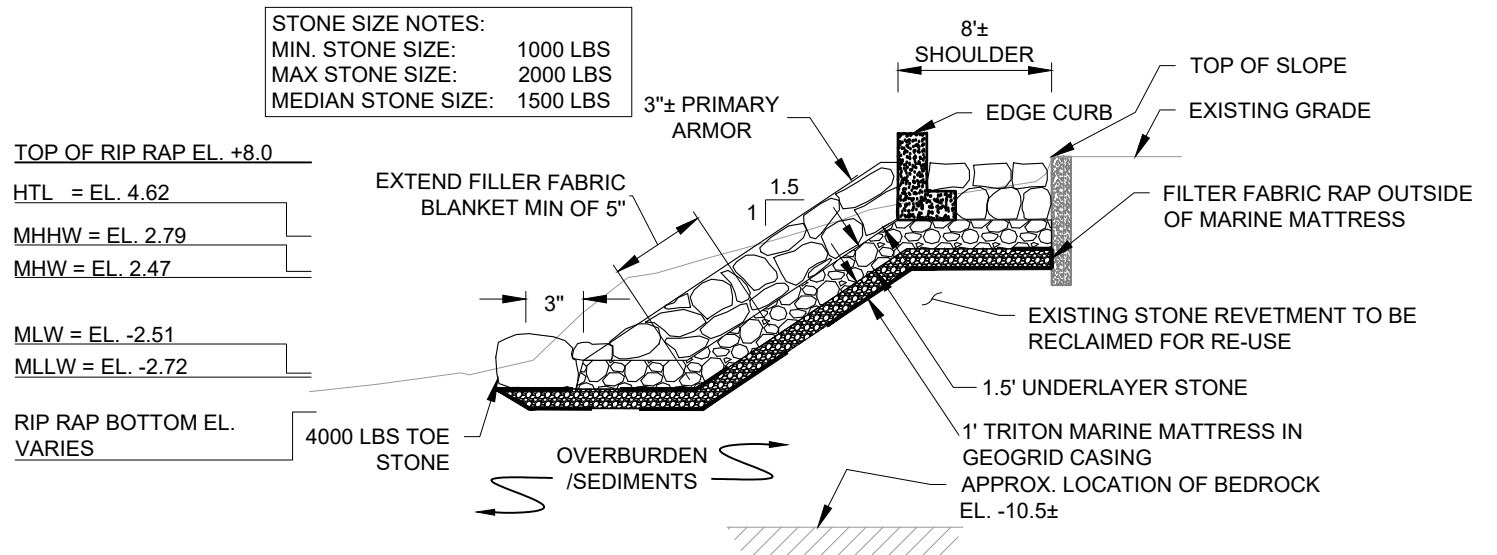
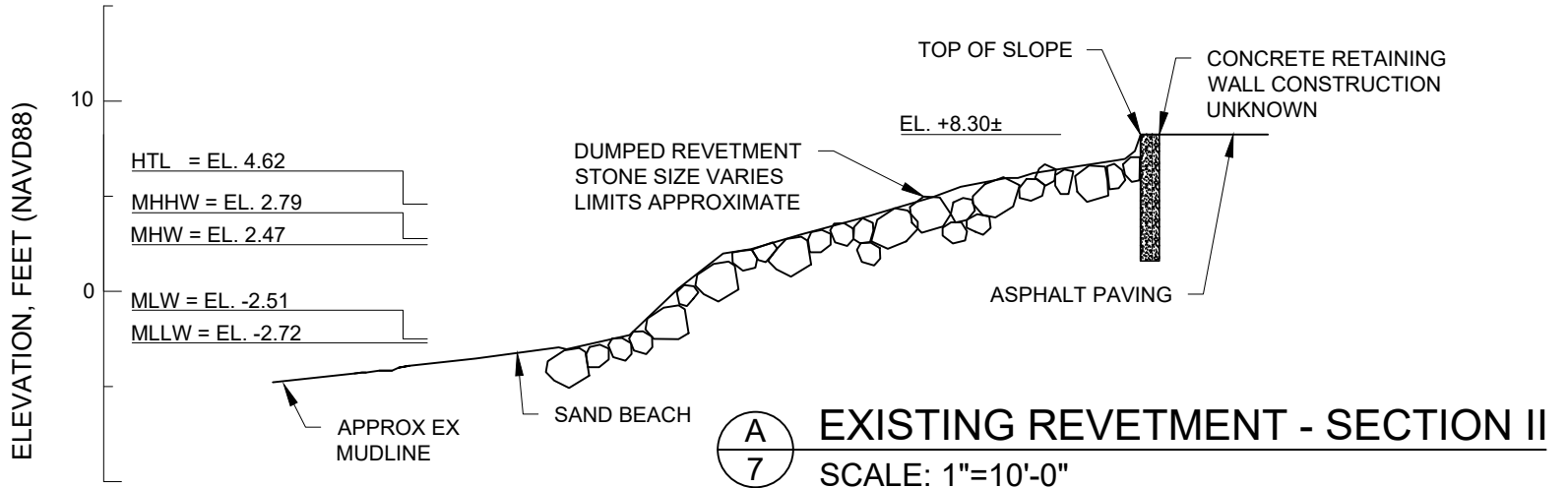
TOTAL FILL OF 1,235 CUBIC YARDS TO BE PLACED OVER AN AREA OF 6,067 SQUARE FEET BELOW HTL.



100 YR FLOOD VARIES
HTL +4.62
MHW +2.47
NAVD88 0.00
MLW -2.51
MLLW -2.72

TITLE: REVETMENT - SECTION I		IN: STATEN ISLAND
PURPOSE: PIER & REVETMENT CONSTRUCTION		AT: KILL VAN KULL
APPLICATION BY: UHAUL STATEN ISLAND		COUNTY: RICHMOND STATE: NY
		SHEET 6 OF 13
		DATE: 05/23/2022

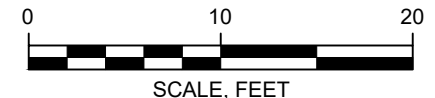
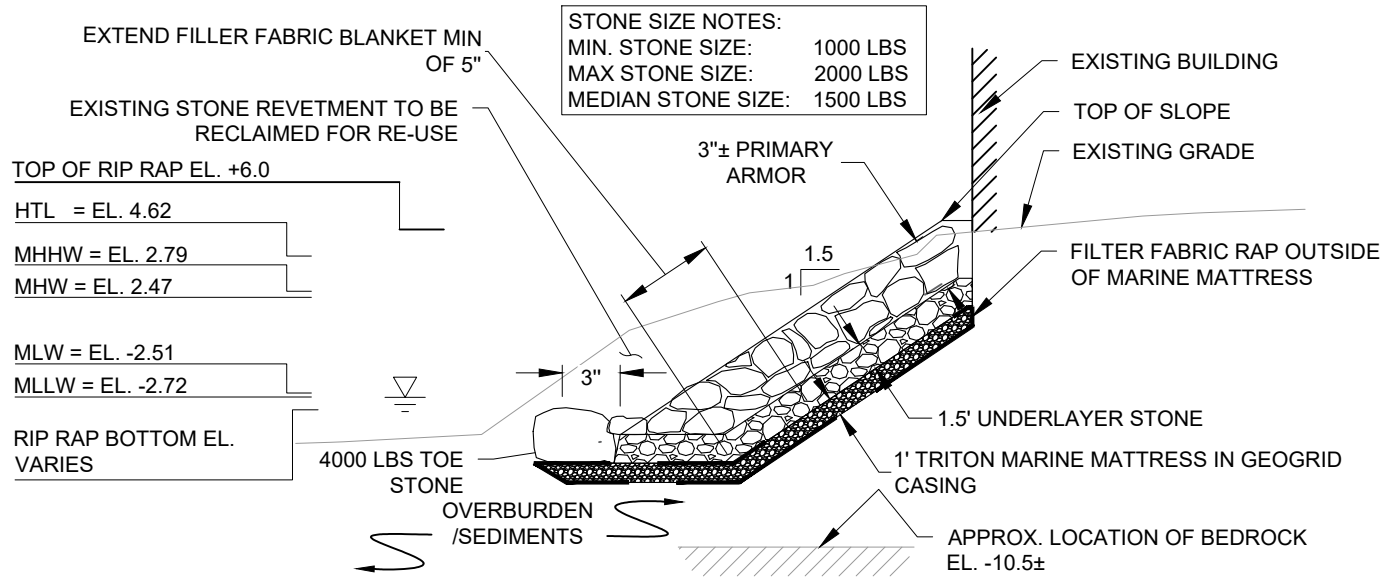
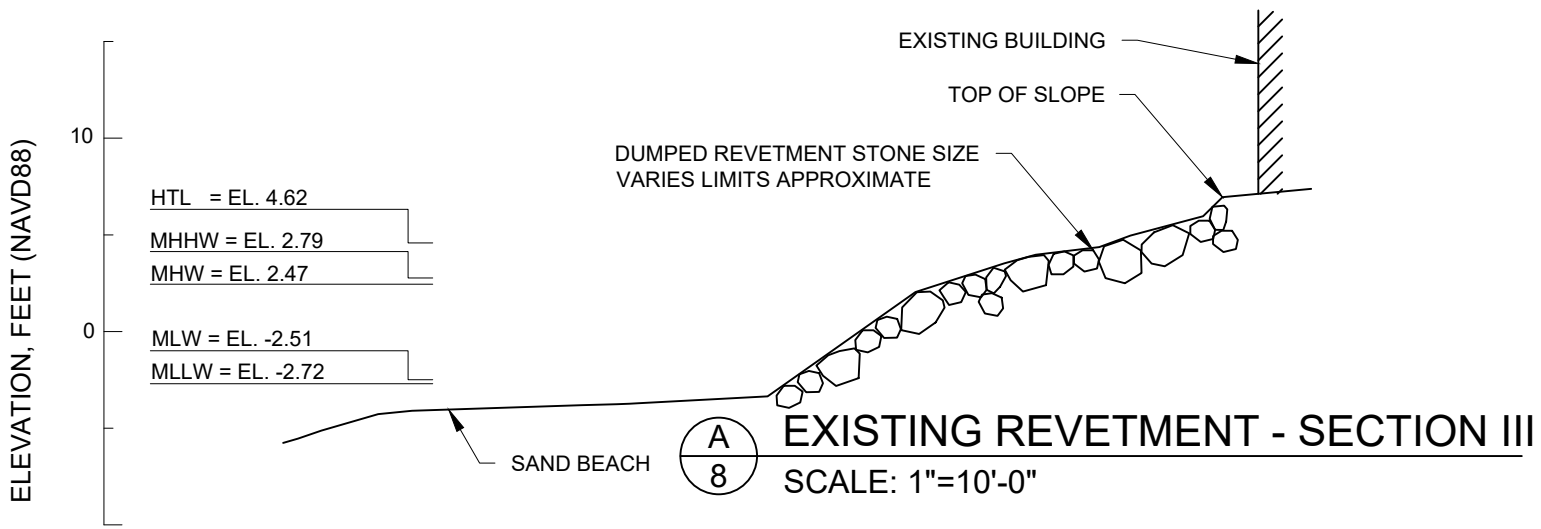
File: B:\Working\UHAUL STATEN ISLAND_NY\2000694_U-Haul Pier and Revetment\00_CAD\Design\Working\USACOF_PERMIT\SH1-06_TO_09.dwg



100 YR FLOOD VARIES
HTL +4.62
MHW +2.47
NAVD88 0.00
MLW -2.51
MLLW -2.72

TITLE: REVETMENT - SECTION II		IN: STATEN ISLAND
PURPOSE: PIER & REVETMENT CONSTRUCTION		AT: KILL VAN KULL
APPLICATION BY: UHAUL STATEN ISLAND		COUNTY: RICHMOND STATE: NY
		SHEET 7 OF 13
		DATE: 05/23/2022

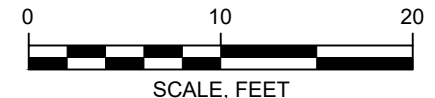
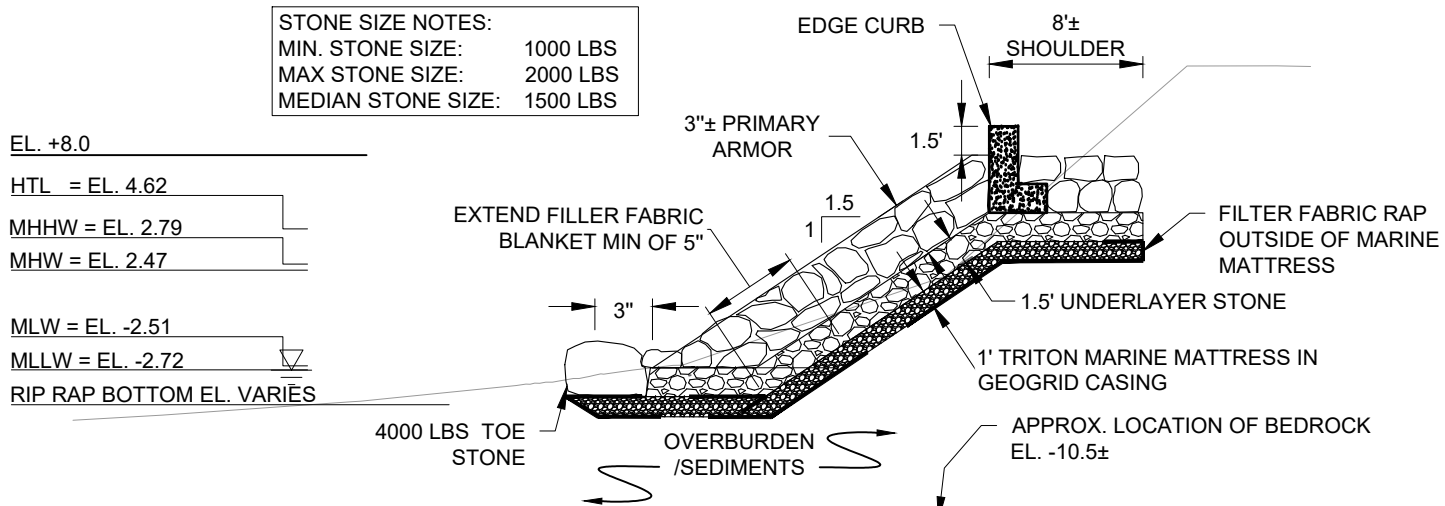
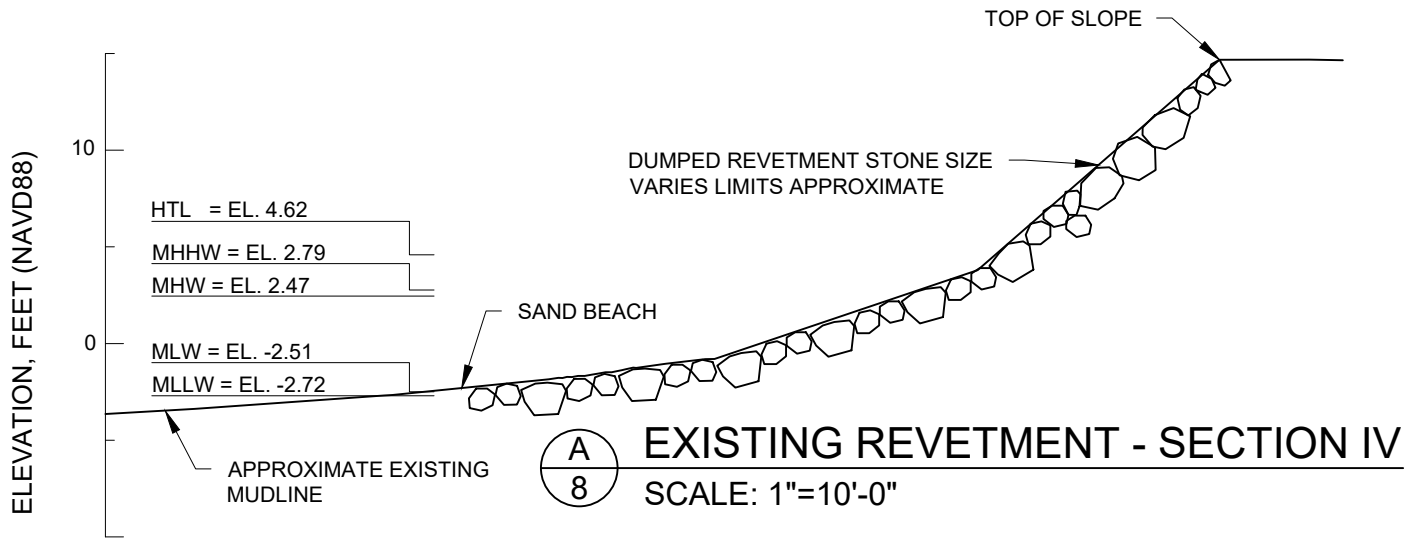
File: B:\Working\UHAUL_STATEN_ISLAND_NY\2000694_U-Haul Pier and Revetment\00_CAD\Design\Working\USACOF_PERMIT\SH1-06_TO_09.dwg



100 YR FLOOD VARIES
 HTL +4.62
 MHW +2.47
 NAVD88 0.00
 MLW -2.51
 MLLW -2.72

TITLE: REVETMENT - SECTION III		IN: STATEN ISLAND
PURPOSE: PIER & REVETMENT CONSTRUCTION		AT: KILL VAN KULL
APPLICATION BY: UHAUL STATEN ISLAND		COUNTY: RICHMOND STATE: NY
		SHEET 8 OF 13
		DATE: 05/23/2022

File: B:\Working\UHAUL_STATEN_ISLAND_NY\2000694_U-Haul Pier and Revetment\00_CAD\Design\Working\USACOF_PERMIT\SH1-06_TO_09.dwg

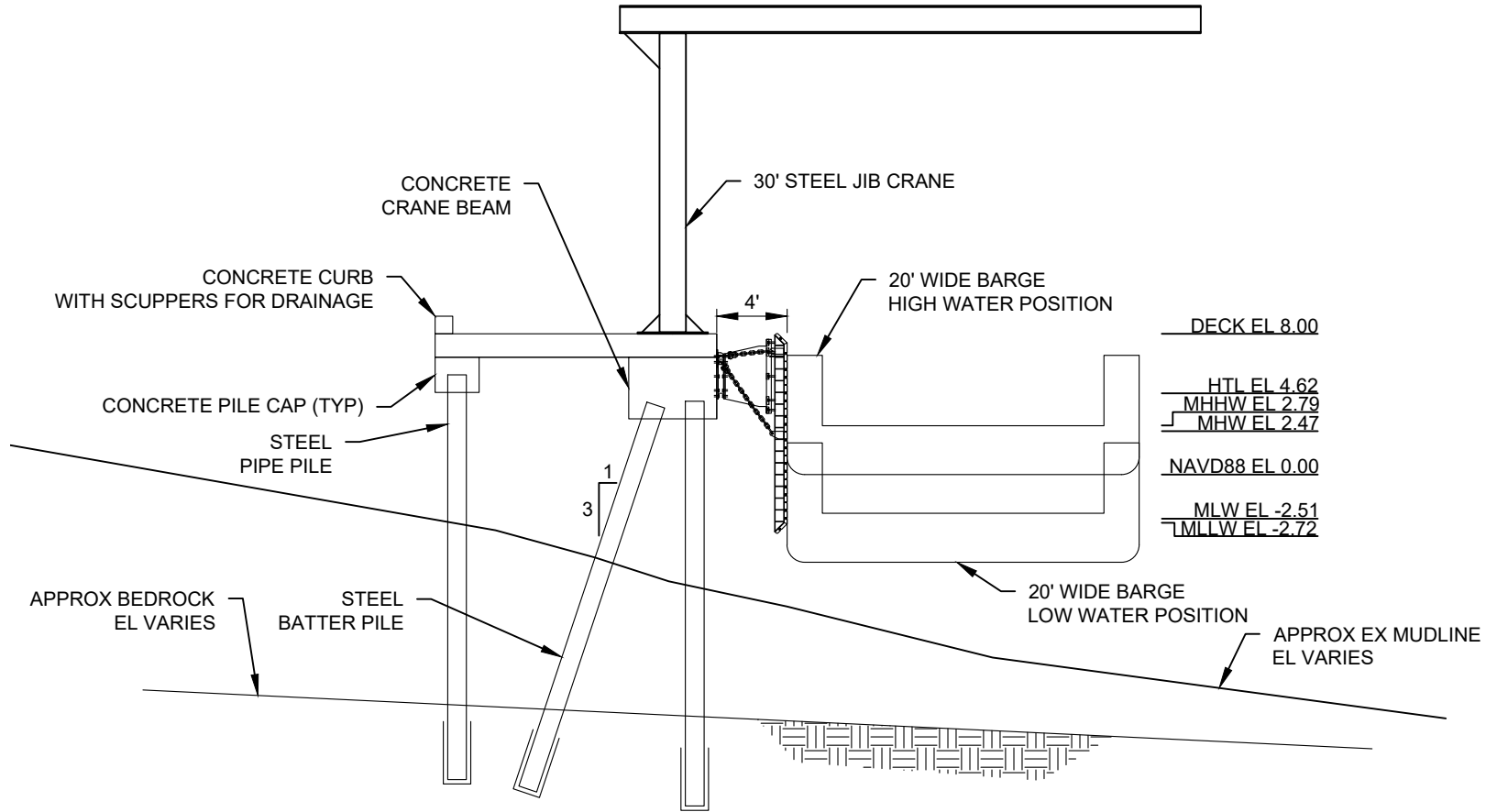


100 YR FLOOD VARIES	
HTL	+4.62
MHW	+2.47
NAVD88	0.00
MLW	-2.51
MLLW	-2.72

TITLE: REVETMENT - SECTION IV		IN: STATEN ISLAND
PURPOSE: PIER & REVETMENT CONSTRUCTION		AT: KILL VAN KULL
APPLICATION BY: UHAUL STATEN ISLAND		COUNTY: RICHMOND STATE: NY
		SHEET 9 OF 13
		DATE: 05/23/2022

USACE FILE: NAN-2020-00919-EVI

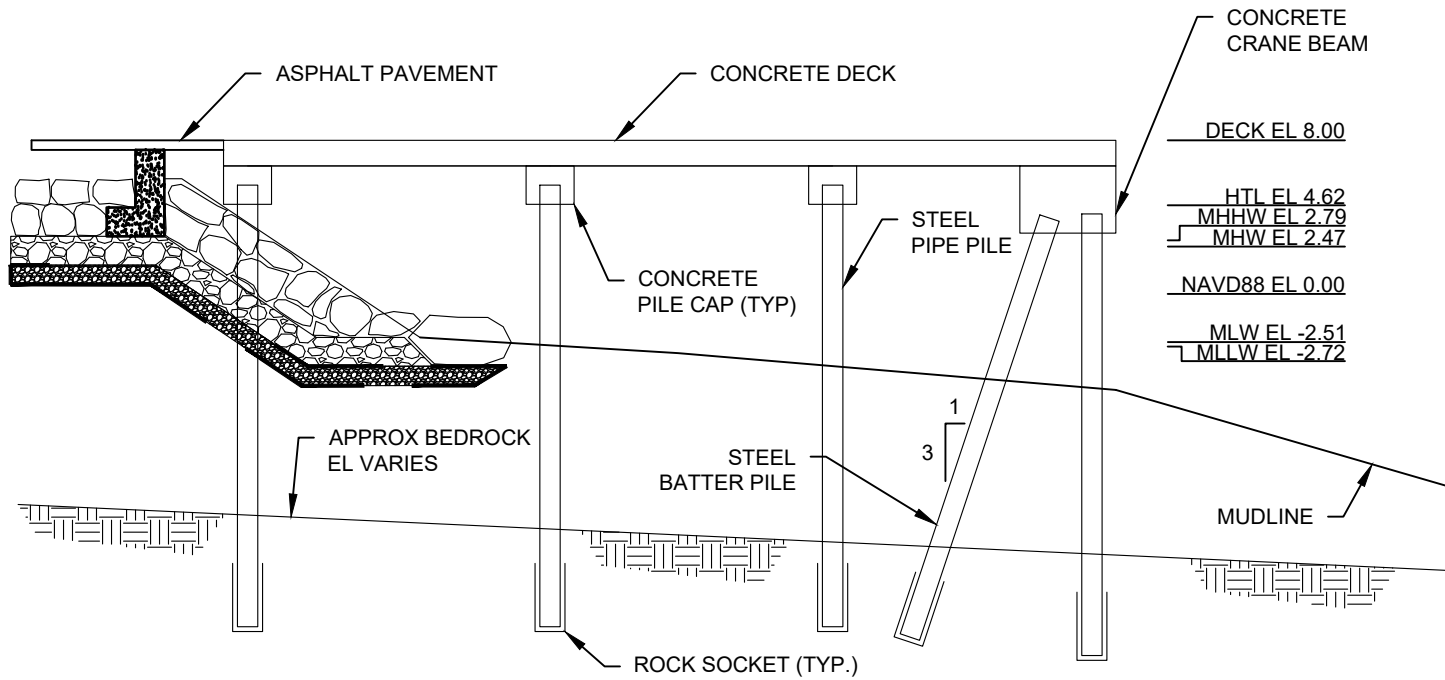
File: B:\Working\UHAUL\STATEN_ISLAND_NY\2000694_U-Haul Pier and Revetment\00_CAD\Design\Working\USACOF_PERMIT\SHT-11 & 12_PIER_SECTIONS.dwg



100 YR FLOOD VARIES
 HTL +4.62
 MHW +2.47
 NAVD88 0.00
 MLW -2.51
 MLLW -2.72

TITLE: PIER SECTION A/11		IN: STATEN ISLAND
PURPOSE: PIER & REVETMENT CONSTRUCTION		AT: KILL VAN KULL
APPLICATION BY: UHAUL STATEN ISLAND		COUNTY: RICHMOND STATE: NY
		SHEET 11 OF 13
		DATE: 05/23/2022

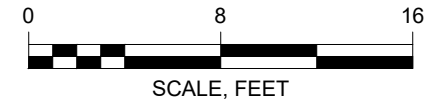
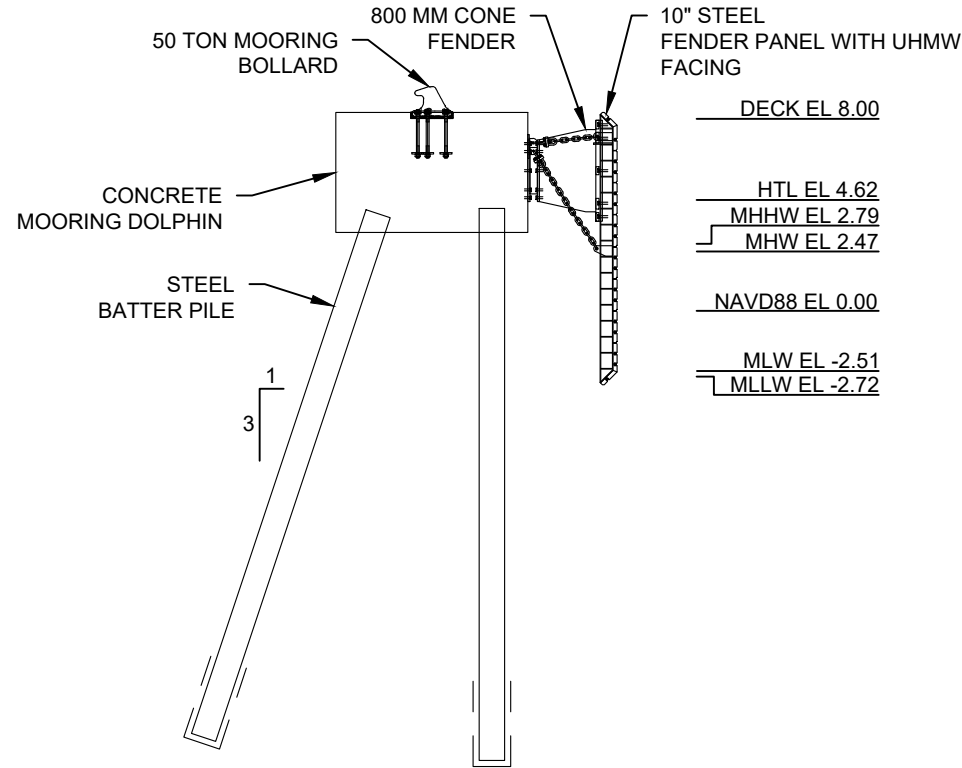
File: B:\Working\UHAUL_STATEN_ISLAND_NY\2000694_U-Haul Pier and Revetment\00_CAD\Design\Working\USACOF_PERMIT\SHT-11 & 12 PIER SECTIONS.dwg



100 YR FLOOD VARIES
HTL +4.62
MHW +2.47
NAVD88 0.00
MLW -2.51
MLLW -2.72

TITLE: PIER SECTION A/12		IN: STATEN ISLAND
PURPOSE: PIER & REVETMENT CONSTRUCTION		AT: KILL VAN KULL
APPLICATION BY: UHAUL STATEN ISLAND		COUNTY: RICHMOND STATE: NY
		SHEET 12 OF 13
		DATE: 05/23/2022

File: B:\Working\UHAUL STATEN ISLAND_NY\2000694_U-Haul Pier and Revetment\00_CAD\Design\Working\USACOF_PERMIT\SHT-13_DOLPHIN_SECTION.dwg



100 YR FLOOD VARIES
 HTL +4.62
 MHW +2.47
 NAVD88 0.00
 MLW -2.51
 MLLW -2.72

TITLE: DOLPHIN SECTION		IN: STATEN ISLAND
PURPOSE: PIER & REVETMENT CONSTRUCTION		AT: KILL VAN KULL
APPLICATION BY: UHAUL STATEN ISLAND	COUNTY: RICHMOND STATE: NY	
SHEET 13 OF 13		DATE: 05/23/2022